

## Specifications.

M22: 22m<sup>2</sup> Mobile LED Screen



### Safety: Our Mobile LED Screen

- Approved to be used up to wind force 7
- Are operated by highly experienced and trained technicians to ensure a quality service
- Has multiple safety lock systems for the hydraulic system to ensure safety
- Are TUV compliant

### Screen

Display Size	22m <sup>2</sup>
Display Dimension	6.244m x 3.556m
Picture Format	16:9 Full HD
Pixel Pitch	8mm actual – 4mm virtual
Brightness	6,500 nits
Viewing Angle	140 (±70) H / 140 V
Min, rotation space from trailer body (each side)	6.200m
Screen Rotation	360°
Input Signals	DVI / SDI / HD-SDI / HDMI

### Trailer

Length	6.389m
Width	2.075m
Width (outriggers extended)	3.200m
Height (lowered)	2.722m
Height (raised)	7.544m
Weight	3,652kgs
Built in Studio	No

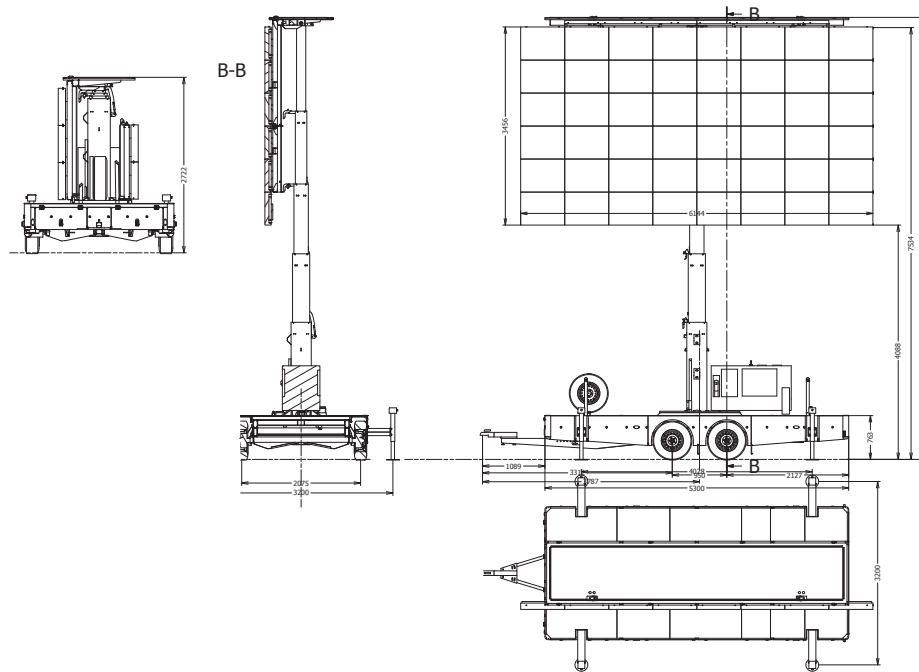
### Power: Built in Generator

Power consumption max	18kVa
External power connector	32 A 3 phase

## Specifications.

M22: 22m<sup>2</sup> Mobile LED Screen

Technical Drawing



3d Technical Drawing

